

Product Name:	Centrifuge Tube
Product Application:	NEST centrifuge tubes could be commonly used to collect cells and separate biomacromolecules by centrifugation in biochemistry and other biological fields. They can also be used to store photosensitive samples and special chemiluminescence reagent.
Product Materials:	PP (tube) + PP(cap) Meets USP, Class VI standards.
product Specifications:	Temperature range: stored at room temperature Shelf life: 3 years after date of production. (ensure package is in good)
Sterilization:	Yes. Sterilized by E-beam, Sterility Assurance Level: SAL=10 ⁻⁶ . The product has been irradiated and dosimetrically released based on ANSI/AAMI/ISO 11137
Pyrogens:	Non-Pyrogenic
RNase/DNase:	DNase/RNase free
BSE/TSE:	These products are deemed animal free.
Performance Testing:	Each manufacturing lot is sampled and tested in accordance with standard operating procedures. Appearance inspection: qualified Packaging inspection: qualified Sealing test: qualified
Features	<ol style="list-style-type: none"> 1. Printed clear graduations with marking area. 2. Polypropylene tube and high density polyethylene cap. 3. High centrifugal strength up to 12,000xg. 4. Withstand temperature range: Approx.-80°C to 121°C. 5. Flat markable cap with leakproof seal. 6. One-hand operation design for the caps is easy to handle. 7. Sterilized by E-beam, SAL=10⁻⁶. 8. Non-Pyrogenic, DNase/Rnase free. 9. Tubes are available in two usage levels: Premium Level and Standard Level. <p>Premium Level:</p> <ul style="list-style-type: none"> • Up to the standards of biological analysis. • High strength non-toxic materials. • Raw material comply with USP VI complies. <p>Standard Level:</p> <ul style="list-style-type: none"> • Made from virgin polypropylene to meet the general requirements of the laboratory. • Skirted and self-standing.

Product Name:	Centrifuge Tube Racks
Product Application:	For placing 15ml&50ml centrifuge tubes.
Product Materials:	Polypropylene, PP

Head Office No. 530, Xida Road, Meicun Industrial Park, Xinwu District, Wuxi, Jiangsu, China
 Tel: +86+ 510-6800 6788 Email: info@nest-wuxi.com
 Online: www.cell-nest.com

Oversea NEST USA (New Jersey/ Phoenix)
 NEST scientific 株式会社 (Yokohama, Japan)
 NEST Scientific Europe B.V (Netherlands)
 Nest Scientific (MENA) FZE (Sharjah, United Arab Emirates)

product Specifications:	Temperature range: stored at room temperature Shelf life: 5 years after date of production. (ensure package is in good)
Sterilization:	No
Performance Testing:	Each manufacturing lot is sampled and tested in accordance with standard operating procedures. Appearance inspection: pass Packaging inspection: pass
Features	<ol style="list-style-type: none"> Made of virgin polypropylene. Reusable and economic. Non-sterilized.

Product Range

Centrifuge Tubes, USP VI Materials

Cat. No.	Volume(Ml)	Color	Packaging	Max.RCF(xg)	/Pack	/Case
601001	15	transparency	PS Rack	12000	50	500
601002	15	transparency	Bagged	12000	50	500
602001	50	transparency	PS Rack	12000	25	500
602002	50	transparency	Bagged	12000	25	500
601201	15	brown	PS Rack	12000	50	500
602201	50	brown	PS Rack	12000	25	500

Centrifuge Tubes, Standard

Cat. No.	Volume(mL)	Packaging	Max.RCF(xg)	/Pack	/Case
601051	15	PS Rack	12000	50	500
601052	15	Bagged	12000	50	500
602051	50	PS Rack	12000	25	500
602052	50	Bagged	12000	25	500
602072	50 (Self-Standing)	Bagged	5000	25	500

Centrifuge Tube Racks

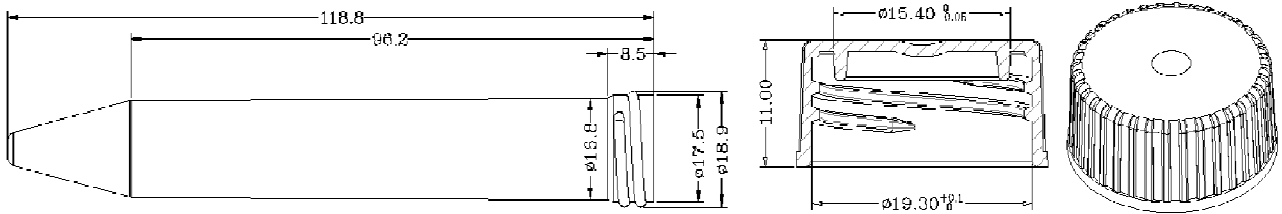
Cat.No.	Application	Sterile	/Case
610001	For 15mL tubes	No	50
610101	For 50mL tubes	No	50

Head Office No. 530, Xida Road, Meicun Industrial Park, Xinwu District, Wuxi, Jiangsu, China
Tel: +86+ 510-6800 6788 Email: info@nest-wuxi.com
Online: www.cell-nest.com

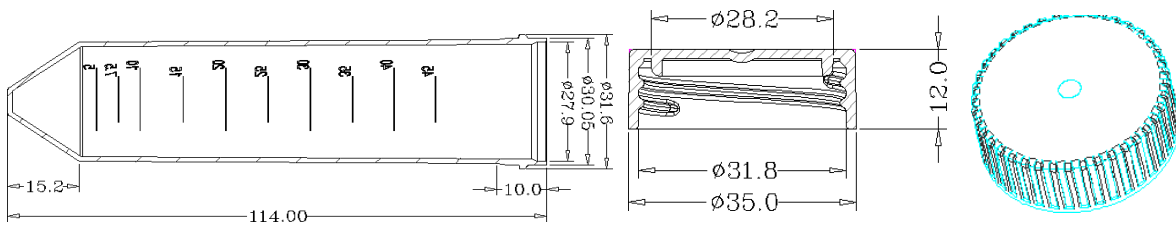
Oversea NEST USA (New Jersey/ Phoenix)
NEST scientific 株式会社 (Yokohama, Japan)
NEST Scientific Europe B.V (Netherlands)
Nest Scientific (MENA) FZE (Sharjah, United Arab Emirates)

Technical Drawing

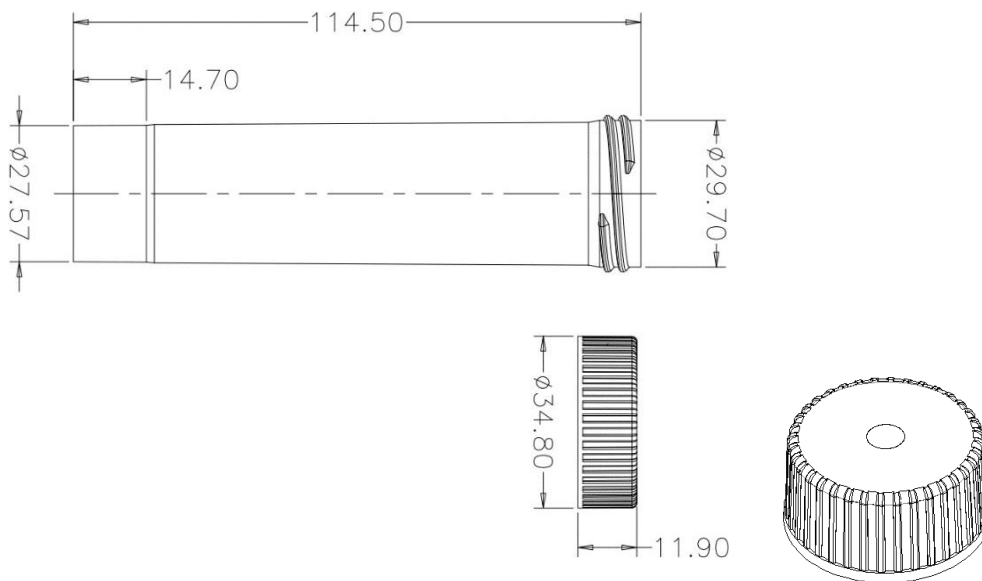
15mL Centrifuge tubes/ USP VI Materials



50mL Centrifuge tubes/ USP VI Materials



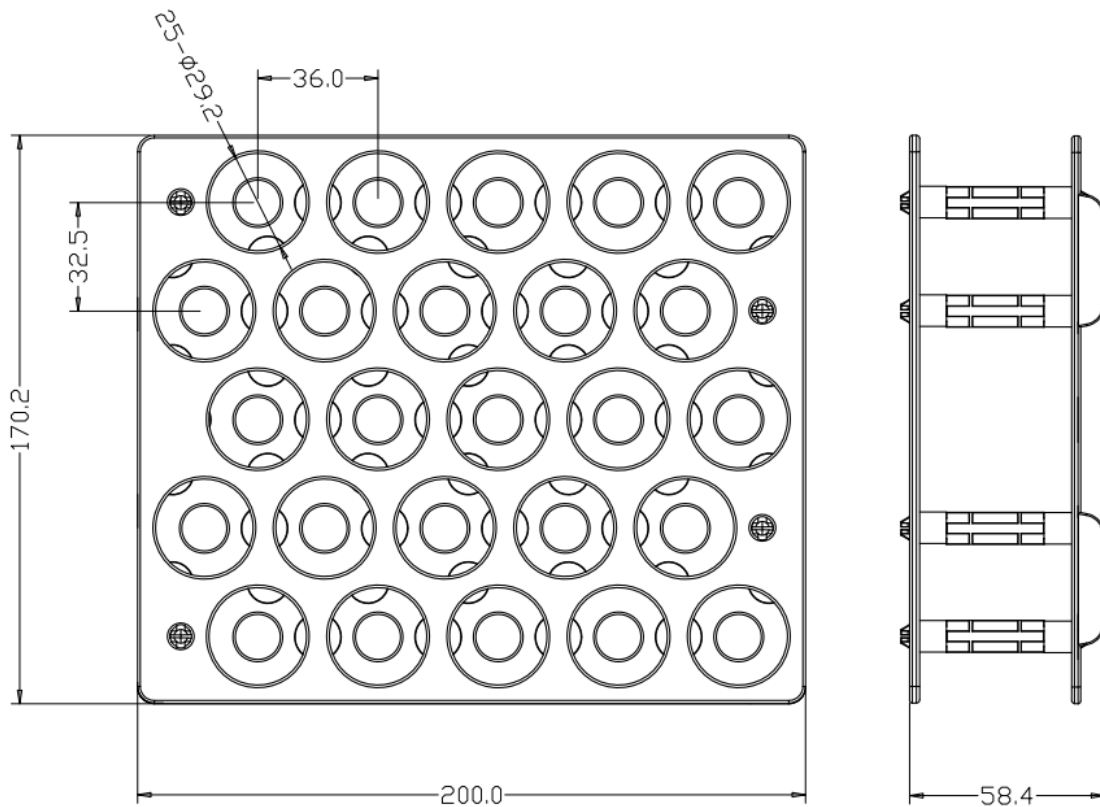
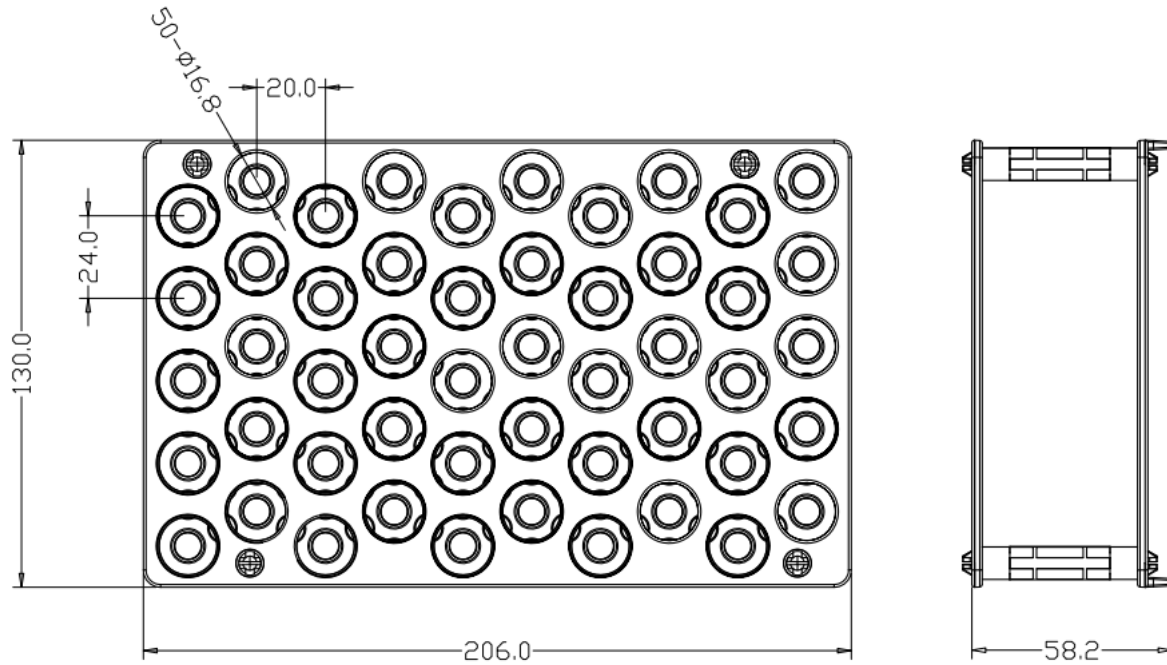
50mL Self-Standing Centrifuge tubes/ USP VI Materials



Head Office No. 530, Xida Road, Meicun Industrial Park, Xinwu District, Wuxi, Jiangsu, China
 Tel: +86+ 510-6800 6788 Email: info@nest-wuxi.com
 Online: www.cell-nest.com

Oversea NEST USA (New Jersey/ Phoenix)
 NEST scientific 株式会社 (Yokohama, Japan)
 NEST Scientific Europe B.V (Netherlands)
 Nest Scientific (MENA) FZE (Sharjah, United Arab Emirates)

Product Picture of Centrifuge Tube Racks



Head Office No. 530, Xida Road, Meicun Industrial Park, Xinwu District, Wuxi, Jiangsu, China
 Tel: +86+ 510-6800 6788 Email: info@nest-wuxi.com
 Online: www.cell-nest.com

Oversea NEST USA (New Jersey/ Phoenix)
 NEST scientific 株式会社 (Yokohama, Japan)
 NEST Scientific Europe B.V (Netherlands)
 Nest Scientific (MENA) FZE (Sharjah, United Arab Emirates)



Head Office No. 530, Xida Road, Meicun Industrial Park, Xinwu District, Wuxi, Jiangsu, China
Tel: +86+ 510-6800 6788 Email: info@nest-wuxi.com
Online: www.cell-nest.com

Oversea NEST USA (New Jersey/ Phoenix)
NEST scientific 株式会社 (Yokohama, Japan)
NEST Scientific Europe B.V (Netherlands)
Nest Scientific (MENA) FZE (Sharjah, United Arab Emirates)