

| | |
|--------------------------------|--|
| Product Name: | pipette tips & Tip Boxes |
| Product Application: | NEST Pipette Tips are ultra-clear and fit universally the most pipettes. Ideal for transferring or measuring out liquid during experiment, especially in a laboratory. |
| Product Materials: | polypropylene (PP). Meets <i>USP, Class VI standards</i> |
| product Specifications: | Temperature range: stored at room temperature Shelf life: 3 Years after date of production (ensure package is in good) |
| Sterilization: | Yes (for Boxed tips). Sterilized by E-beam, Sterility Assurance Level: SAL=10 ⁻⁶ . The product has been irradiated and dosimetrically released based on ANSI/AAMI/ISO 11137 |
| Pyrogens: | Non-Pyrogenic |
| RNase/DNase: | DNase/RNase free |
| BSE/TSE: | These products are deemed animal free. |
| Performance Testing: | Each manufacturing lot is sampled and tested in accordance with standard operating procedures. Appearance inspection: qualified Leak test: qualified Pipette Fit Test: qualified Packaging inspection: qualified |
| Features | <ol style="list-style-type: none"> 1. Both tips and boxes are autoclavable. 2. With precision mold and professional injection skill, Nest tips has smooth inner surface to ensure Low liquid attachment and accurate sample results during liquid transfer. 3. Resistant to organic solvents. 4. Filter Pipette Tips are filtered through porous tissue to ensure optimal performance and is extremely hydrophobic, forming a robust barrier against aerosols and eliminating the risk of cross-contamination of the sample. 5. ultra-clear polypropylene good for observation. 6. Boxed tips are DNase/RNase free, and pyrogenic free. 7. Nest pipette tips are compatible with most of the popular pipettes on the market. 8. Boxed tips are sterilized by E-beam. 9. Bagged tips are non-sterilized. |

Product Range

Universal Pipette Tips, Boxed

| Cat.No. | Volume (µL) | Pack | Color | Sterile | /Pack | /Case |
|---------|-------------|-------|-------------|---------|-------|-------|
| 301016 | 10 | Boxed | Transparent | YES | 96 | 4800 |
| 302116 | 200 | Boxed | Yellow | YES | 96 | 4800 |
| 305016 | 300 | Boxed | Transparent | YES | 96 | 4800 |

Head Office No. 530, Xida Road, Meicun Industrial Park, Xinwu District, Wuxi, Jiangsu, China
Tel: +86+ 510-6800 6788 Email: info@nest-wuxi.com
Online: www.cell-nest.com

Oversea NEST USA (New Jersey/ Phoenix)
NEST scientific 株式会社 (Yokohama, Japan)
NEST Scientific Europe B.V (Netherlands)
Nest Scientific (MENA) FZE (Sharjah, United Arab Emirates)

ISO9001 & ISO13485 & ISO11137

| | | | | | | |
|--------|------|-------|-------------|-----|-----|------|
| 303216 | 1000 | Boxed | Blue | YES | 100 | 5000 |
| 304016 | 1250 | Boxed | Transparent | YES | 96 | 4800 |

Universal Pipette Tips, Bagged

| Cat.No. | Volume (μL) | Pack | Color | Sterile | /Pack | /Case |
|---------|-----------------|--------|-------------|---------|-------|-------|
| 301006 | 10 | Bagged | Transparent | NO | 1000 | 20000 |
| 302106 | 200 | Bagged | Yellow | NO | 1000 | 20000 |
| 305006 | 300 | Bagged | Transparent | NO | 1000 | 10000 |
| 303206 | 1000 | Bagged | Blue | NO | 1000 | 5000 |
| 304006 | 1250 | Bagged | Transparent | NO | 500 | 5000 |
| 314001 | 10 (Extra Long) | Bagged | Transparent | NO | 1000 | 10000 |

Filter Pipette Tips, Racked

| Cat.No. | Volume (μL) | Pack | Color | Sterile | /Pack | /Case |
|---------|-------------------|--------|-------------|---------|-------|-------|
| 311012 | 10 | Racked | Transparent | YES | 96 | 4800 |
| 314016 | 10 (Extra Long) | Racked | Transparent | YES | 96 | 4800 |
| 310012 | 20 | Racked | Transparent | YES | 96 | 4800 |
| 316012 | 100 | Racked | Transparent | YES | 96 | 4800 |
| 312012 | 200 | Racked | Transparent | YES | 96 | 4800 |
| 313012 | 1000 (Extra Long) | Racked | Transparent | YES | 96 | 4800 |
| 313016 | 1000 | Racked | Transparent | YES | 96 | 4800 |

Filter Pipette Tips, Bagged

| Cat.No. | Volume (μL) | Pack | Color | Sterile | /Pack | /Case |
|---------|-------------------|--------|-------------|---------|-------|-------|
| 311001 | 10 | Bagged | Transparent | NO | 1000 | 10000 |
| 316001 | 100 | Bagged | Transparent | NO | 1000 | 10000 |
| 312001 | 200 | Bagged | Transparent | NO | 1000 | 10000 |
| 313001 | 1000 (Extra Long) | Bagged | Transparent | NO | 500 | 5000 |
| 303006 | 1000 | Bagged | Transparent | NO | 1000 | 5000 |

Head Office No. 530, Xida Road, Meicun Industrial Park, Xinwu District, Wuxi, Jiangsu, China
 Tel: +86+ 510-6800 6788 Email: info@nest-wuxi.com
 Online: www.cell-nest.com

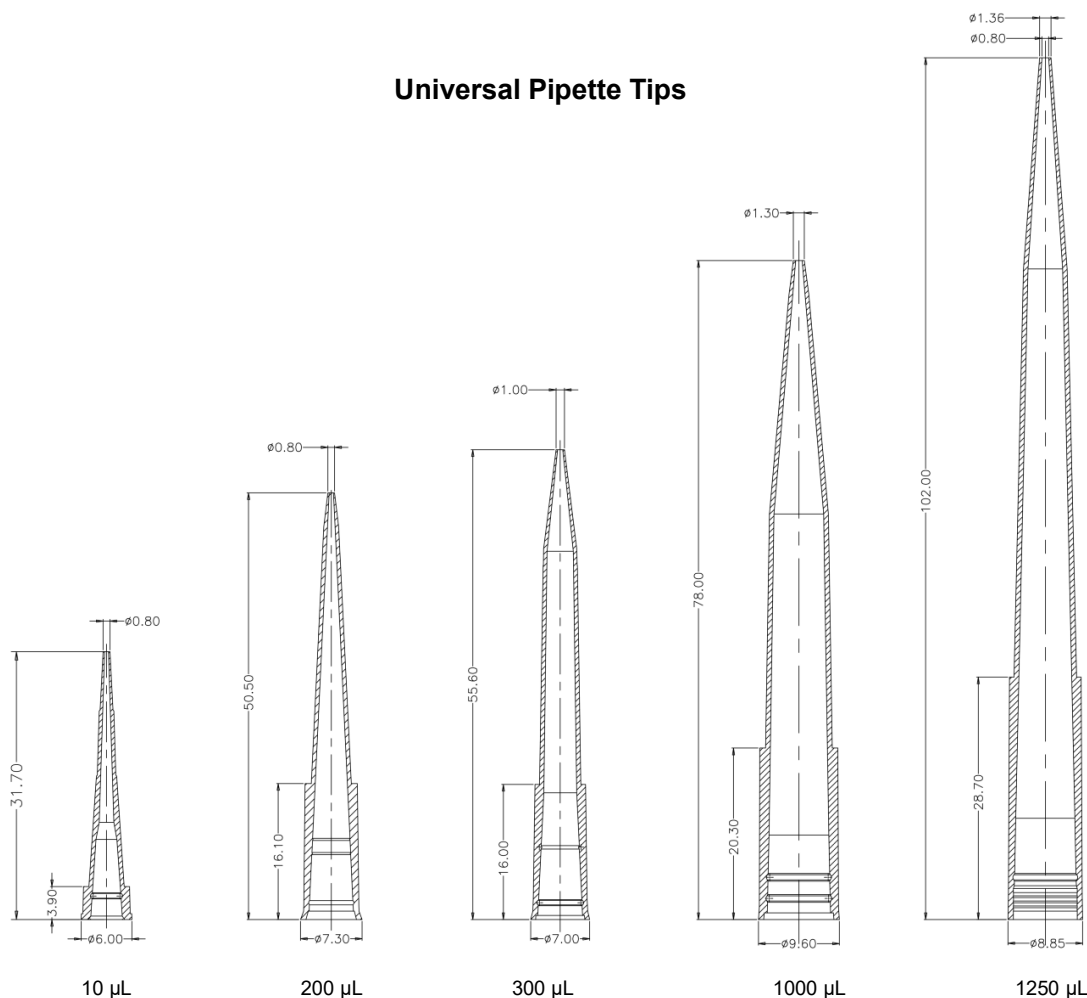
Oversea NEST USA (New Jersey/ Phoenix)
 NEST scientific 株式会社 (Yokohama, Japan)
 NEST Scientific Europe B.V (Netherlands)
 Nest Scientific (MENA) FZE (Sharjah, United Arab Emirates)

Tip Box, Box without tips

| Cat.No. | Description | Color | /Pack | /Case |
|---------|------------------------|--------|-------|-------|
| 351001 | 10 µL Filter Tip Box | Green | 1 | 50 |
| 351101 | 200 µL Filter Tip Box | Yellow | 1 | 50 |
| 351201 | 1000 µL Filter Tip Box | Blue | 1 | 50 |
| 351301 | 1250 µL Filter Tip Box | Blue | 1 | 50 |
| 351401 | 300 µL Filter Tip Box | Orange | 1 | 50 |

Technical Drawing

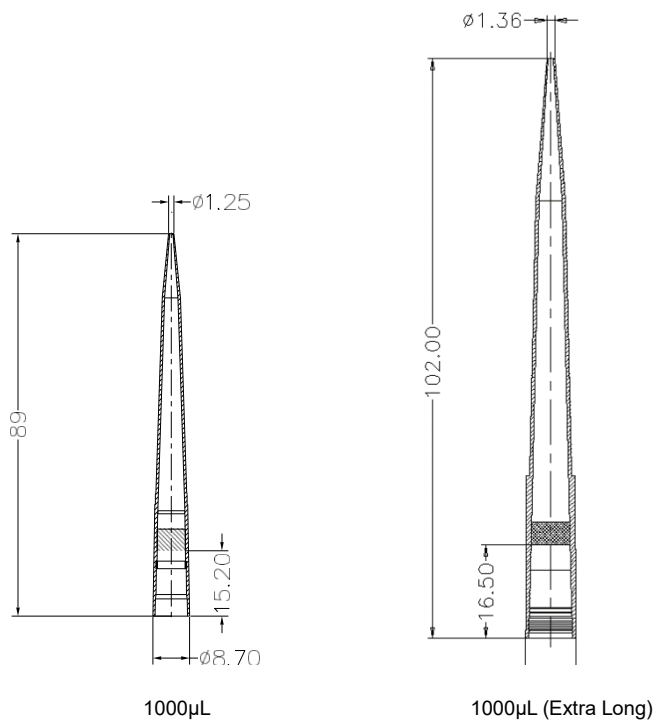
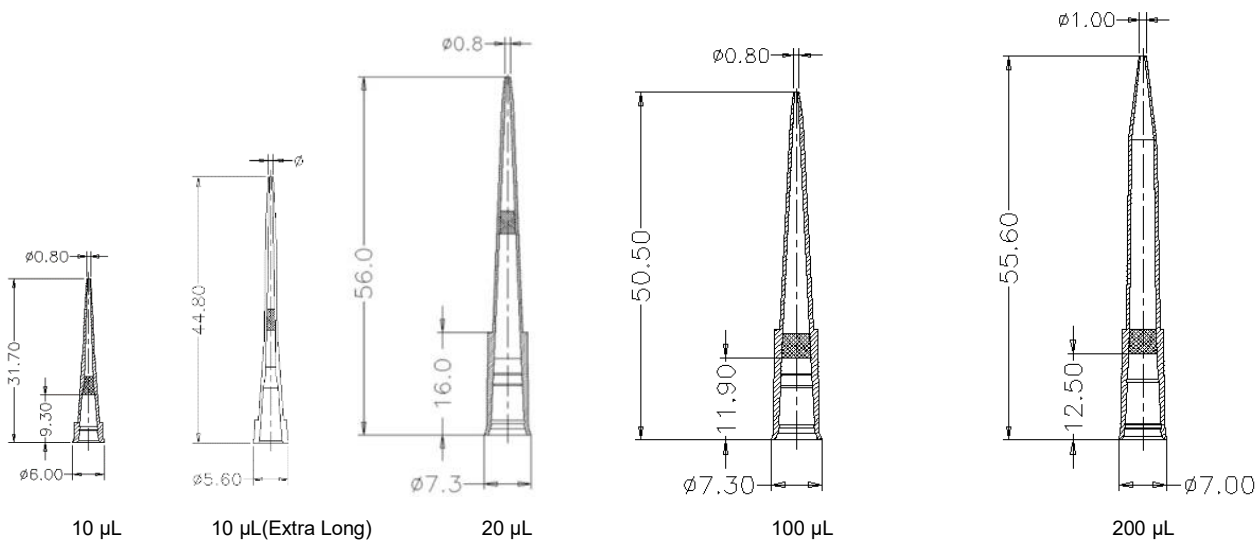
Universal Pipette Tips



Head Office No. 530, Xida Road, Meicun Industrial Park, Xinwu District, Wuxi, Jiangsu, China
 Tel: +86+ 510-6800 6788 Email: info@nest-wuxi.com
 Online: www.cell-nest.com

Oversea NEST USA (New Jersey/ Phoenix)
 NEST scientific 株式会社 (Yokohama, Japan)
 NEST Scientific Europe B.V (Netherlands)
 Nest Scientific (MENA) FZE (Sharjah, United Arab Emirates)

Filter Universal Pipette Tips



Head Office No. 530, Xida Road, Meicun Industrial Park, Xinwu District, Wuxi, Jiangsu, China
 Tel: +86+ 510-6800 6788 Email: info@nest-wuxi.com
 Online: www.cell-nest.com

Oversea NEST USA (New Jersey/ Phoenix)
 NEST scientific 株式会社 (Yokohama, Japan)
 NEST Scientific Europe B.V (Netherlands)
 Nest Scientific (MENA) FZE (Sharjah, United Arab Emirates)